



MUSTER 600

LIST OF THE EXPLODED VIEWS



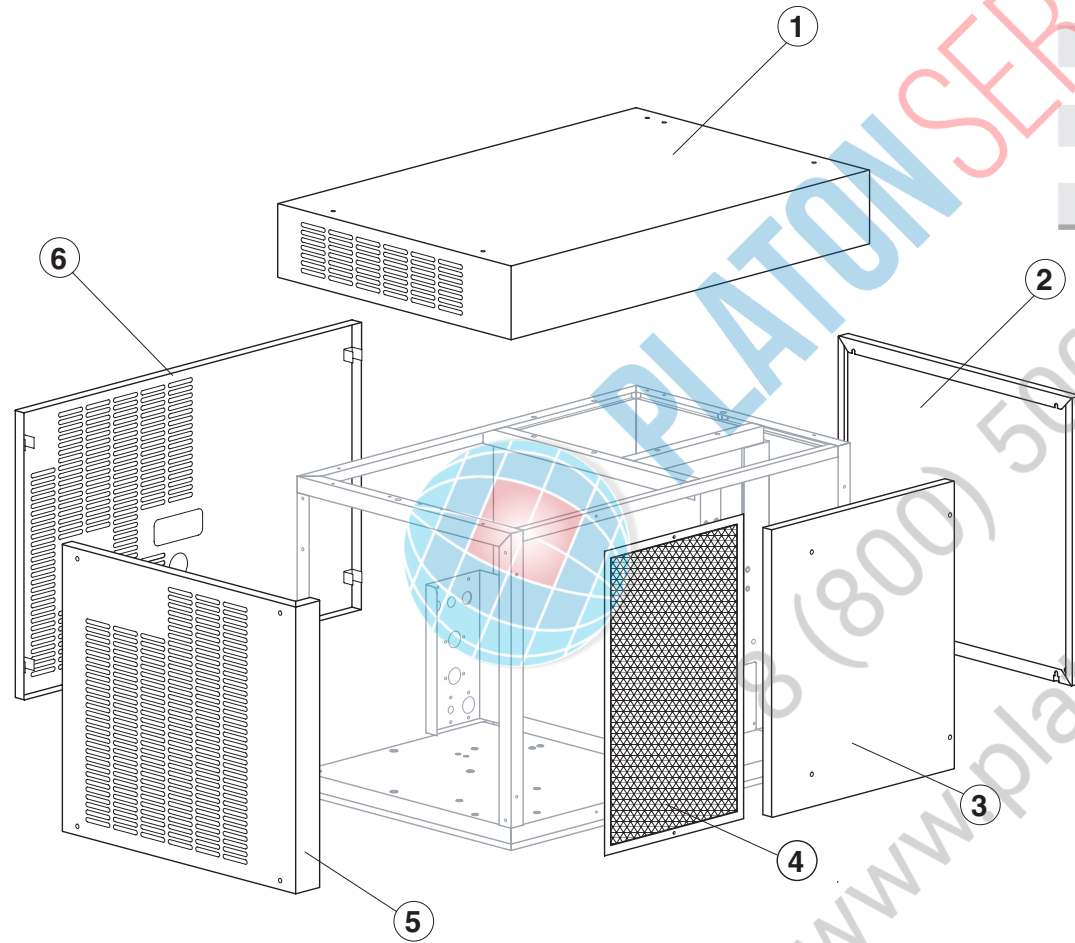
SHELL ASSY

COOLING SYSTEM

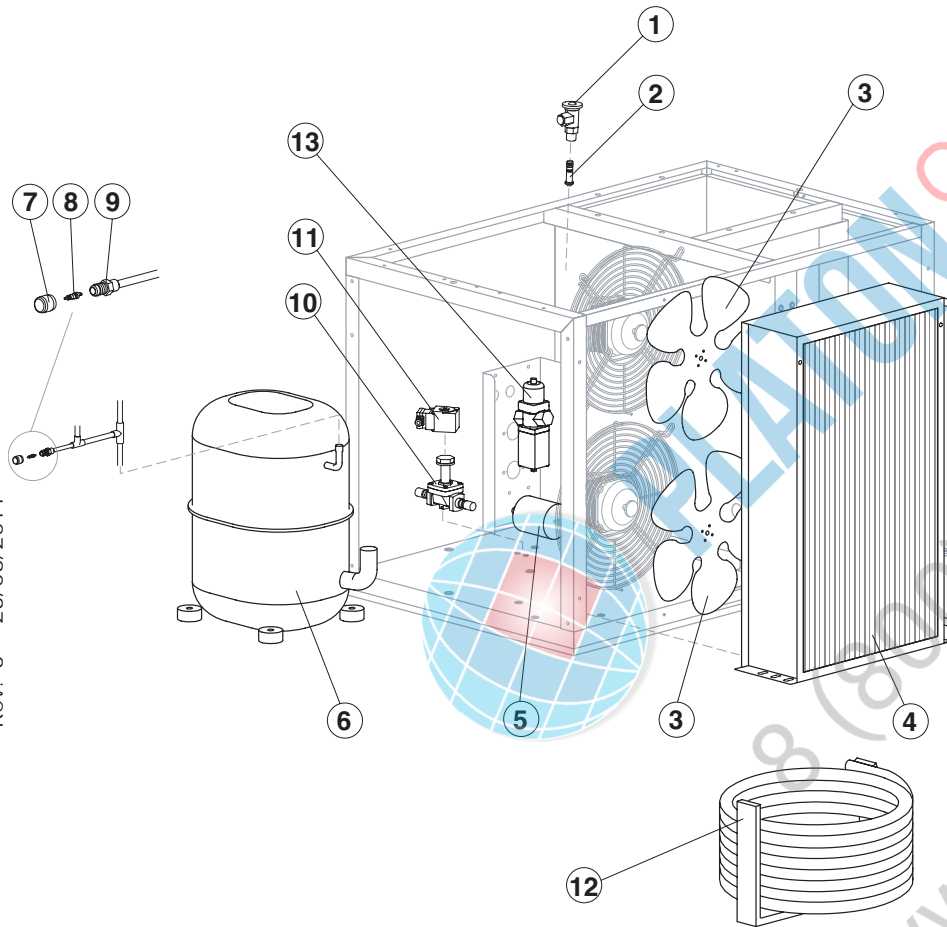
EVAPORATOR

PUMP

ELECTRIC PARTS



Ref.	Spare Description	Code
1	Top Assembly	C22422
2	Right Side Panel	22425
3	Front Panel Assy (Evaporator Side)	221031
4*	Filter	18200
5	Left Side Panel	221032
6	Rear Panel	22427



Ref.	Spare Description	Code
1	Expansion Valve	20734
2	Orifice	Current Version
2	Orifice	Till s/n. 471184
5*	Solid Core Drier	14084
6	Compressor	23583
7*	Vacuum-Charge Valve Plug	14006
8*	Vacuum-Charge Valve Device	14005
9	Vacuum-Charge Valve Body	14007
10*	Hot Gas Valve Body	20409
11*	Hot Gas Valve Coil	23091

Parts for Air-Cooled Version Only

Ref.	Spare Description	Code
3	Sucking Fan	20153
4	Air Condenser	20406

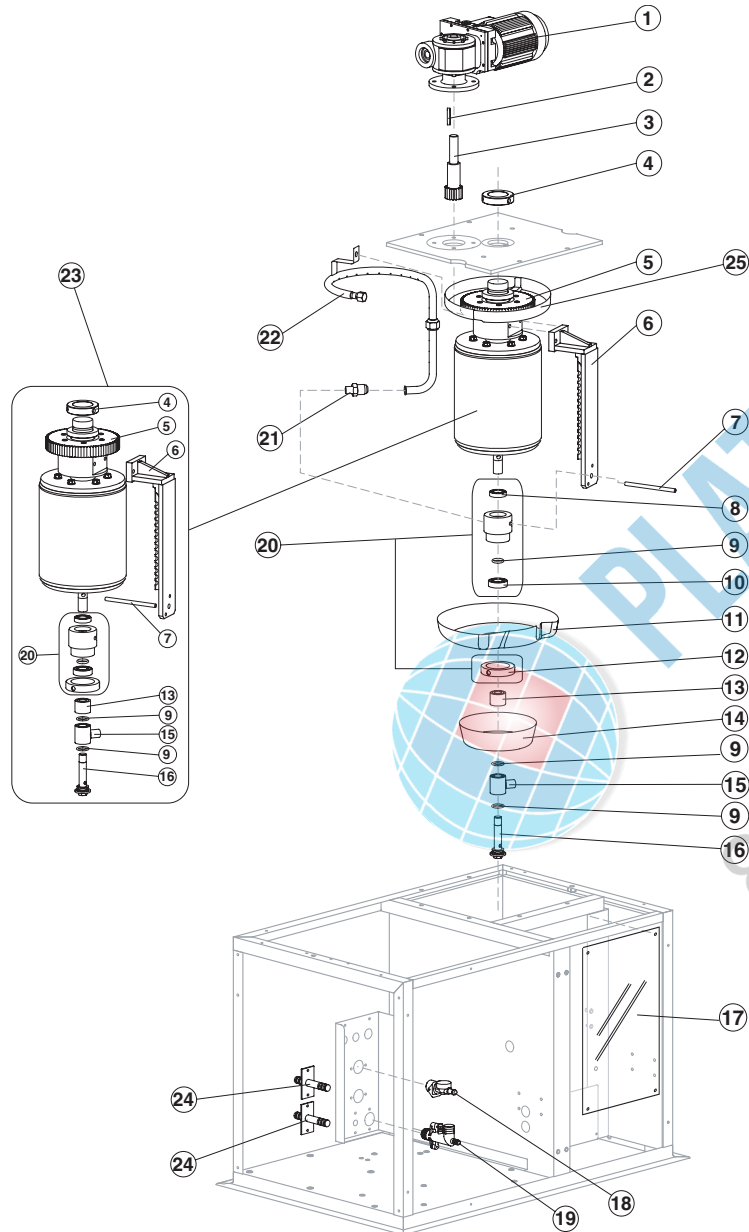
Parts for Water-Cooled Version Only

Ref.	Spare Description	Code
12	Water Condenser	14617
13	Pressostatic Valve	20149



MUSTER 600

EVAPORATOR



Ref.	Spare Description	Code	
1	Gearmotor Assy	C23412	
2	Key 6x6x40	20350	
3	Pinion with Shaft for Gearmotor	C20344	
4	Cylinder Locking Ring Nut	20324	
5	Ring Gear	20354	
6	Scraper	20866	
7	Tie Rod (to Block Scraper)	20865	
8	Stainless Steel Bearing	20531	
9	Silicone OR 4081 Gasket	20338	
10	Stainless Steel Bearing	20045	
11	Rotating Basin	10184	
12	Ring Nut for Rotating Ring	10182	
13	Spacer	10519	
14	Fixed Basin	C10598	
15	Water Inlet Ring	20851	
16	Screw	20849	
17	Evaporator Chamber Shield	10522	
18	1 Way- Water Inlet Nipple	10239	
19	Discharges Manifold	10580	
20	Complete Rotating Ring	C10180	
21	Joint	20335	
22	Sprayer Ring	C20867	
23	Evaporator	C20859	
25	Ring Gear Cover	From s/n. 555325	C10629

Parts for Water-Cooled Version Only

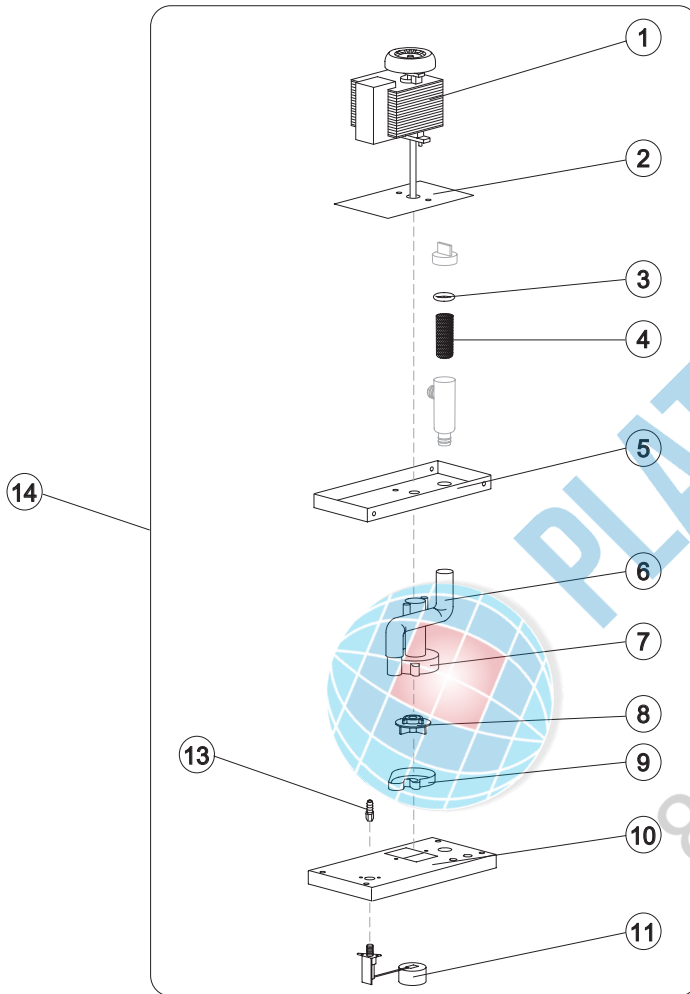
Ref.	Spare Description	Code
24	Connection with Plate	C20462

Rev. 3 - 23/06/2011



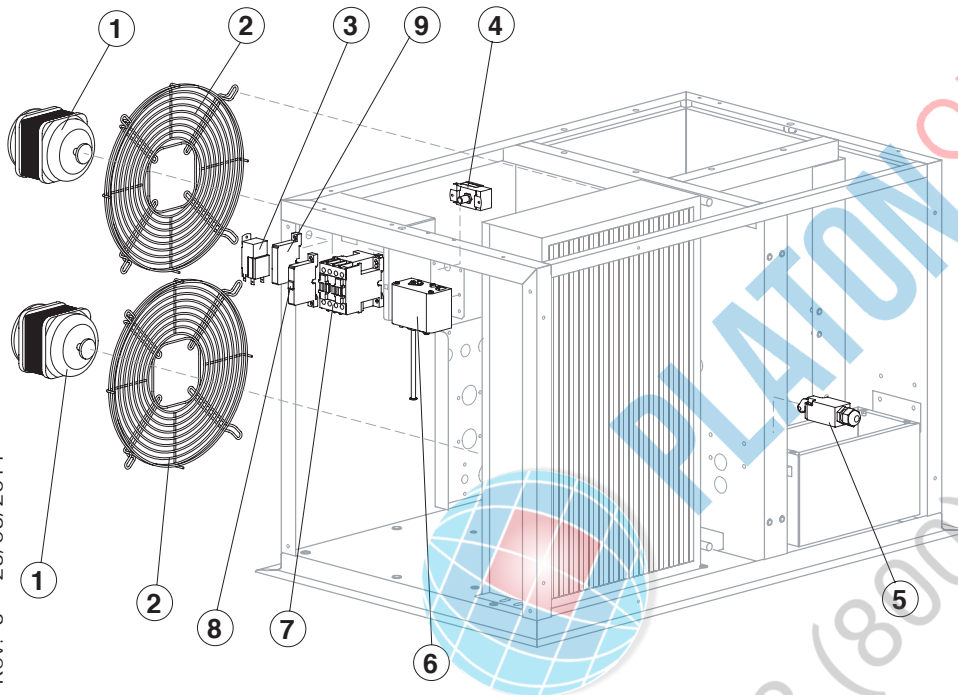
MUSTER 600

PUMP



Ref.	Spare Description	Code
1	Pump Motor	23073
2	Heat Dissipator	22430
3	Pump Filter Gasket	13080
4	Filtering Element	20254
5	Pump Motor Support	10161
6	Pump-Filter Connection Pipe	13084
7	Pump Body	10065
8	Pump Impeller	10190
9	Diffusor	10067
10	Water Pump Basin Cover	22420
11*	Floating Valve	10188
13	Connection	20799
14*	Pump and Filter Assy	C26736

Rev. 3 - 23/06/2011



Ref.	Spare Description	Code
3*	Bin Thermostat	R23005
4	Safety Pressure Switch (Maximum Pressure)	23342
5	Microswitch for Overflow Ice	23746
6	Pressure Switch (Minimum Pressure)	23763
7*	Contactor	23147
8	Thermomagnetic circuit breaker	23910
9	Electronic Delay Timer	From s/n. 515699 23928

Parts for Air-Cooled Version Only

Ref.	Spare Description	Code
1*	Fan Motor	23121
2	Fan Motor Grid	12054

Rev. 3 - 23/06/2011